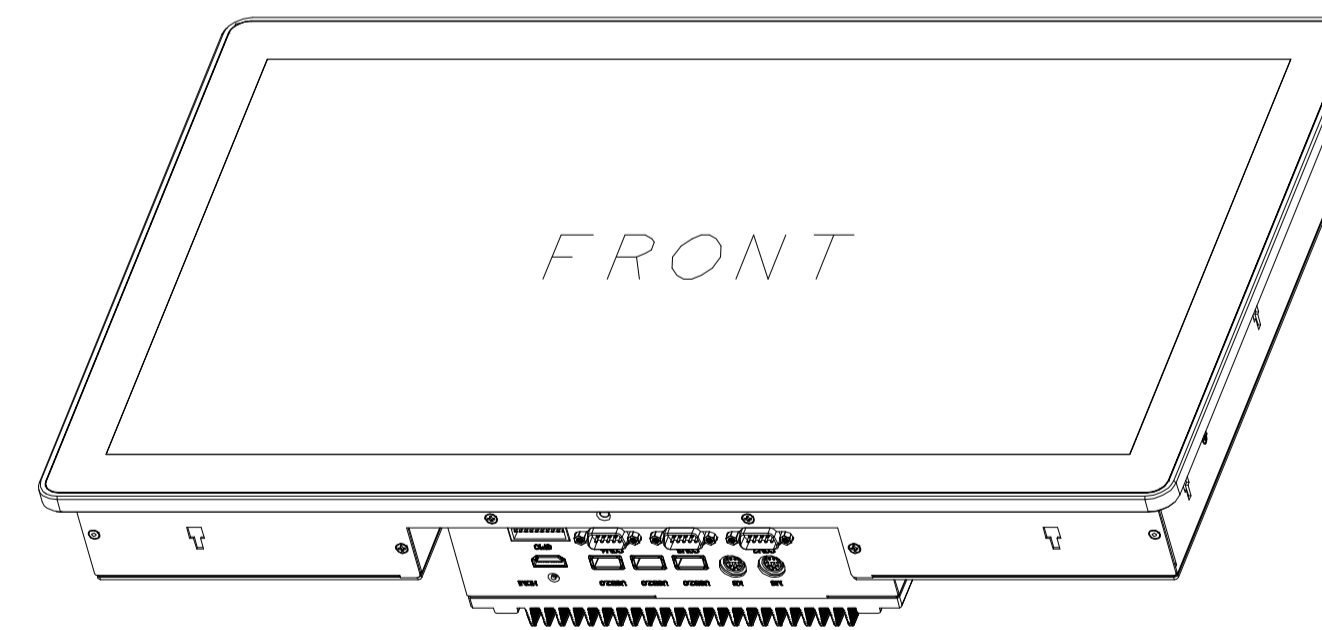
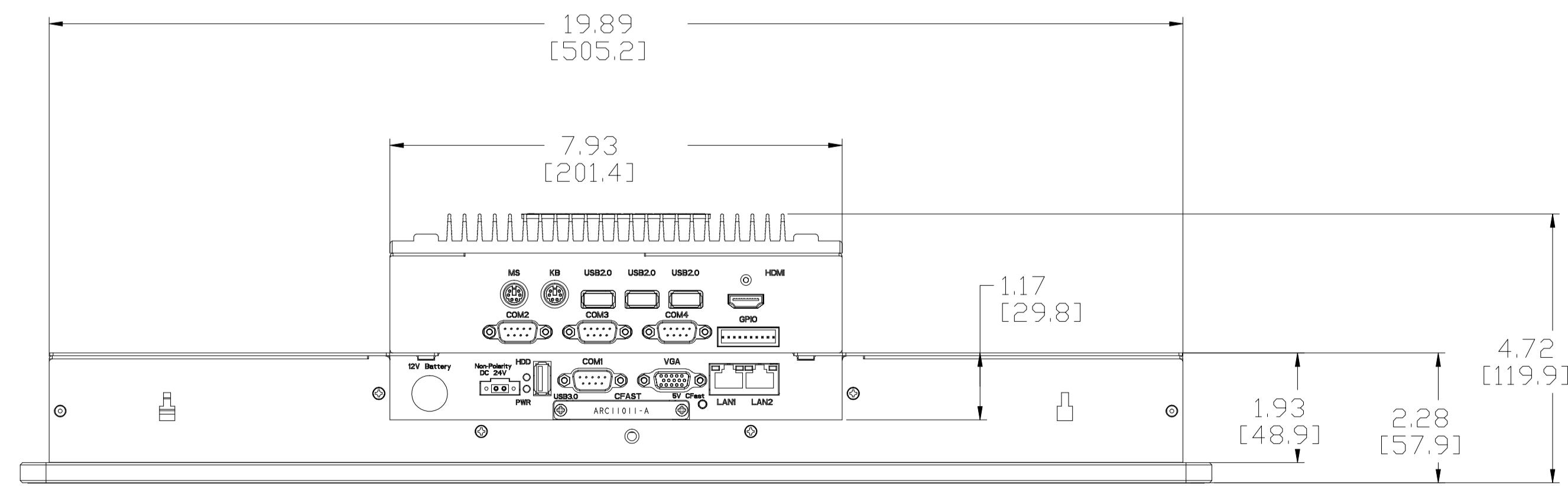
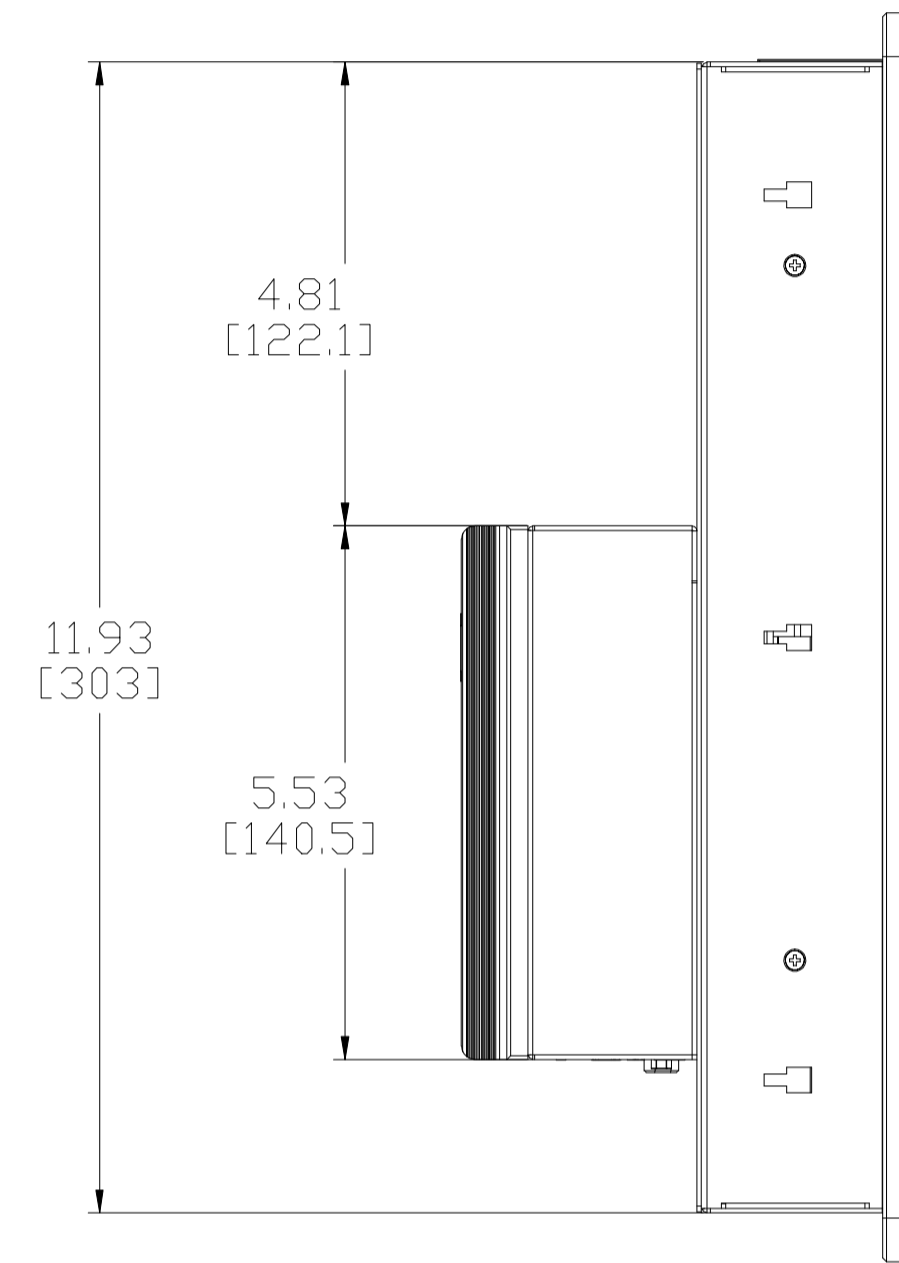
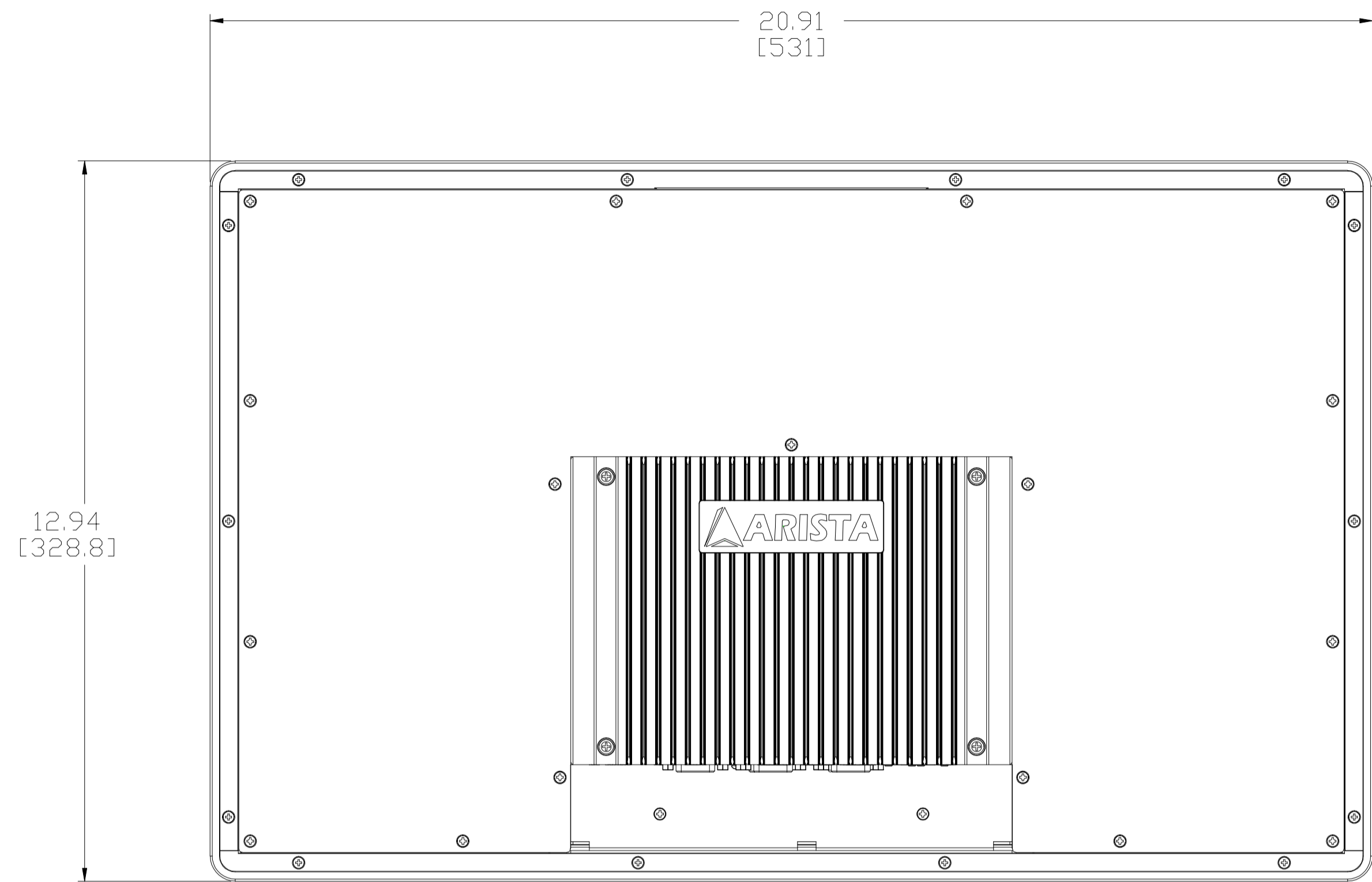
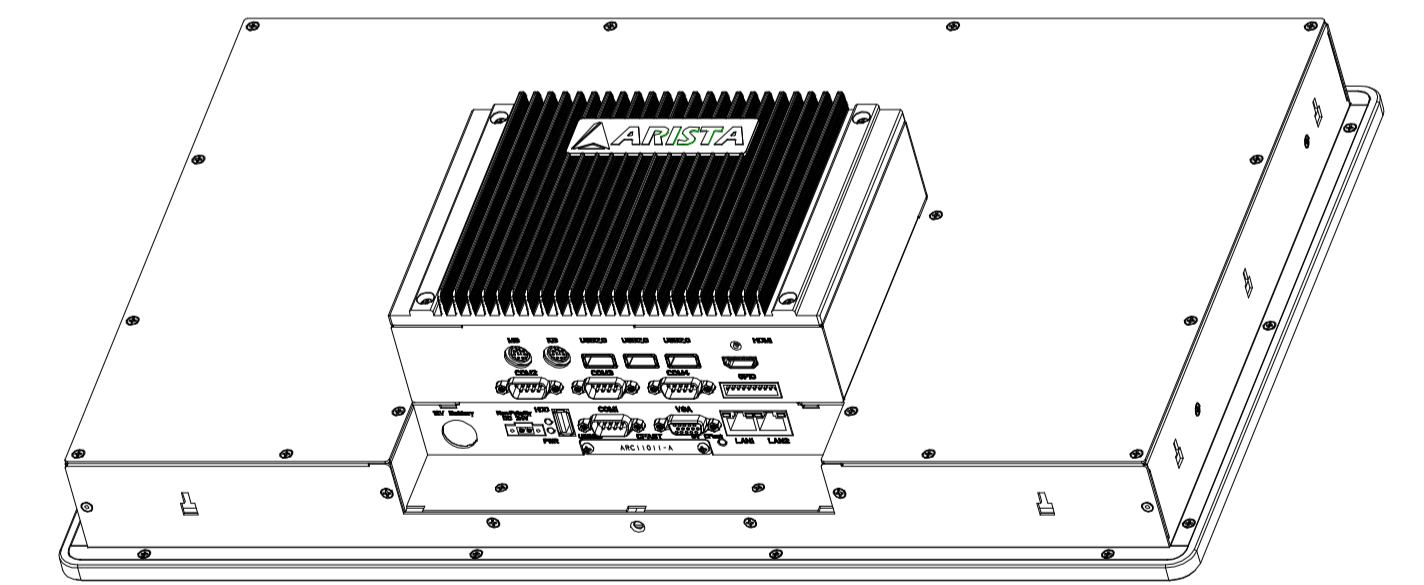


| PARTS LIST |     |             |     |
|------------|-----|-------------|-----|
| ITEM       | QTY | DESCRIPTION | P/N |
|            |     |             |     |



比例 0.300



比例 0.300

ALL DIMENSIONS IN MILLIMETRES  
 THIRD ANGLE PROJECTION

The information disclosed on this document is the exclusive property of ARISTA CORPORATION. Reproduction, disclosure, or the use of this document or information without the written permission of ARISTA CORPORATION is prohibited.

| TOLERANCES | A     | B     | C    |
|------------|-------|-------|------|
| 0-30mm     | ±0.1  | ±0.25 | ±0.6 |
| 30-120mm   | ±0.15 | ±0.46 | ±1.1 |
| 120-315mm  | ±0.2  | ±0.6  | ±1.6 |
| >315mm     | ±0.3  | ±1.1  | ±2.5 |
| DRN        |       |       | DATE |
| CHECKED    |       |       |      |
| DESIGN     |       |       |      |

| ZONE      | REV | DESCRIPTION | DATE | APPROVED |
|-----------|-----|-------------|------|----------|
| REVISIONS |     |             |      |          |

ARISTA CORPORATION  
 40675 Encyclopedia Circle, Fremont, CA 94538

TITLE  
 0\_ARP-3821AP-H01\_ARC11300

SIZE D FSCM NO. DWG NO. REV

比例 0.500 INV. NO. SHEET OF

ECN CN